



BCI® & AJS® Joist – Hole Close to End Bearing Repair

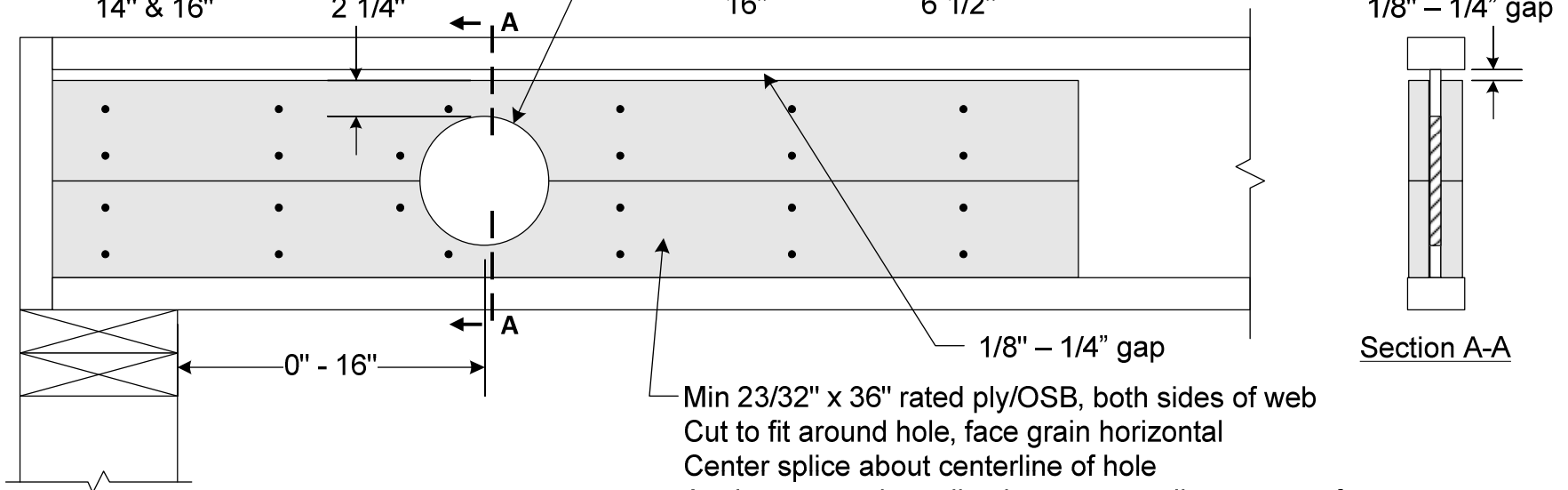
Minimum Clearance

(between either panel and hole edge)

Joist Depth	Distance
9 1/2"	1"
11 7/8"	1 3/4"
14" & 16"	2 1/4"

Allowable Hole Size

Joist Depth	Hole Dia.
9 1/2" - 11 7/8"	4 1/2"
14"	5 1/2"
16"	6 1/2"



Min 23/32" x 36" rated ply/OSB, both sides of web
 Cut to fit around hole, face grain horizontal
 Center splice about centerline of hole
 Apply construction adhesive to cover all contact surface area
 Attach with 4 rows 8d nails, 6" oc, clinched, 2 rows in each panel

Reinforcement as specified above restores original allowable shear/reaction value to BCI / AJS joist. Repair valid only for end bearing conditions.