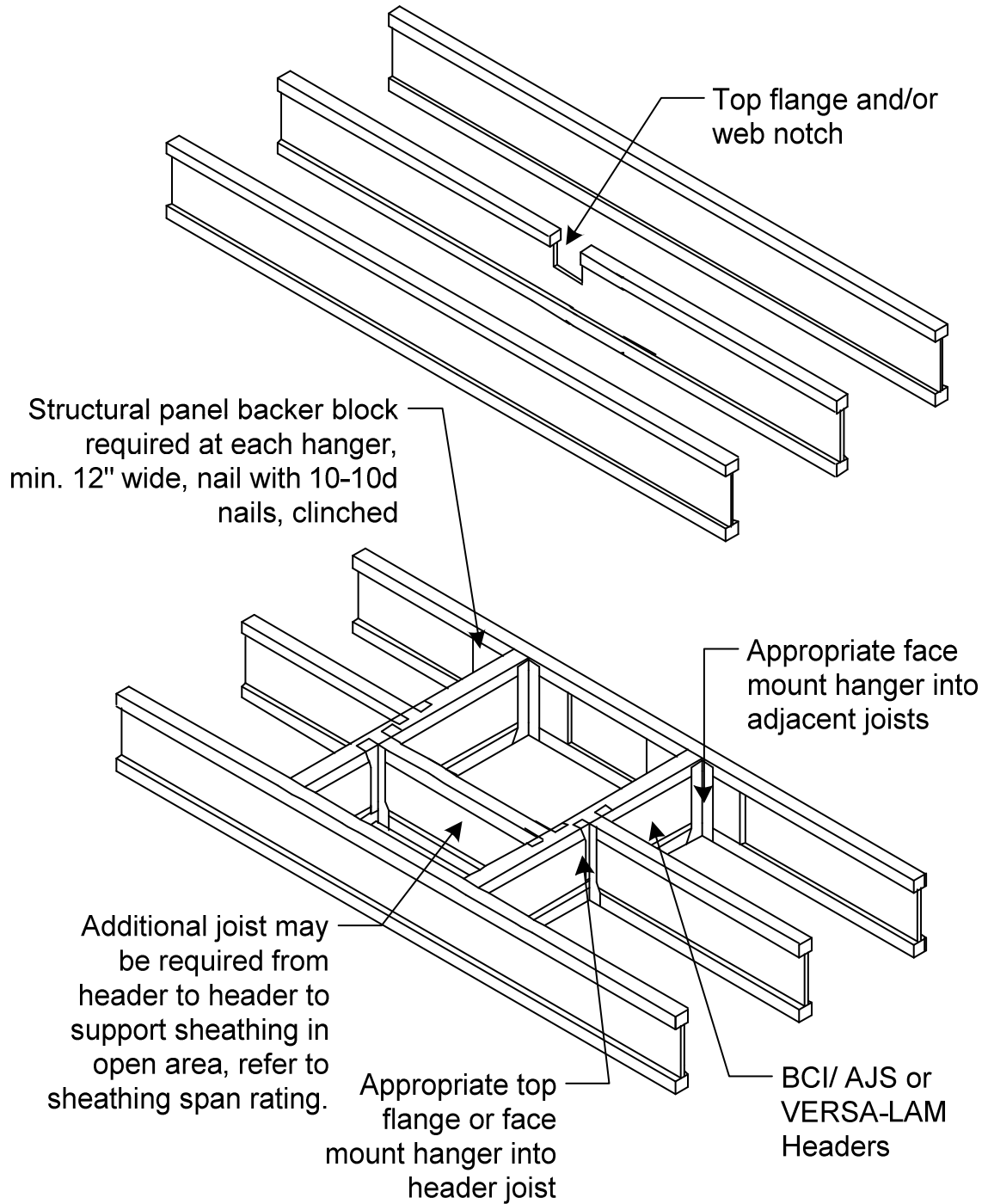




Headout Detail for Damaged BCI[®] / AJS[®] Joist



Note: Adjacent joists must be adequate to support additional load from damaged joist, analyze with BC Calc software.