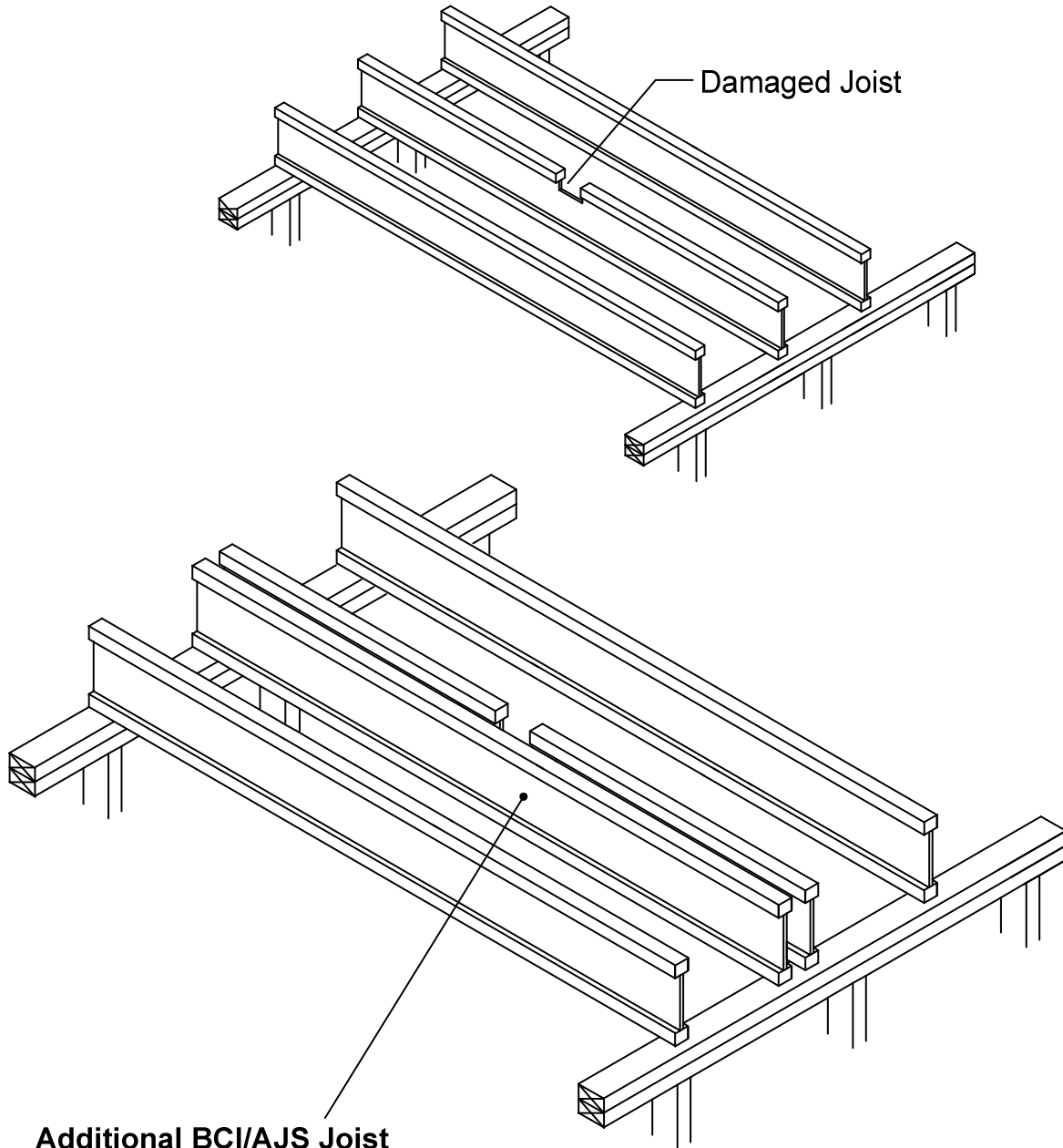




New BCI® / AJS® Joist Installed for Damaged Joist



Additional BCI/AJS Joist

- Same depth and series as damaged joist.
- Install adjacent to existing damaged joist: 4" maximum offset.
- Install full span length, flush to top of joists (provide adequate bearing).
- Glue all contact surfaces with construction adhesive to minimize floor squeaks.
- Provide blocking between joists at bearings (not shown for clarity) or connect existing rimboard to new joist.
- Nail floor sheathing to new joist with floor diaphragm fastening schedule.